



**From Ounces to Tons**  
 No job too big or too small

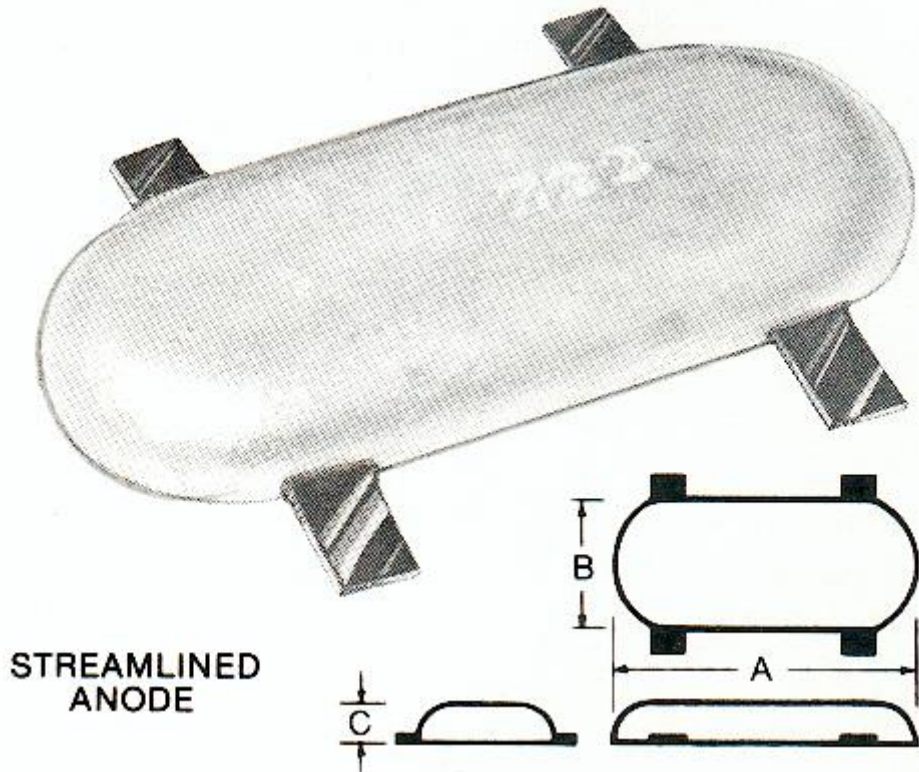
390 Millen Road, Rear Unit, Stoney Creek, Ontario, L8E 2P7

Toll free 866-979-7911 Phone 905 662 9143 Fax 905 385 2614

Email: [info@alchemyextrusions.com](mailto:info@alchemyextrusions.com)

## Streamlined Anodes (Large Vessels)

**Applications:** Bilges, Ballast, Tanks, Bottom Plates, Keels, Rudders, Shaft Tunnels, Cargo Tanks, Structures.



PART No.	Weight (Lbs)	A	B	C	MOUNTING
Z22	23.5	14.0"	6.5"	1.5"	Weld-On