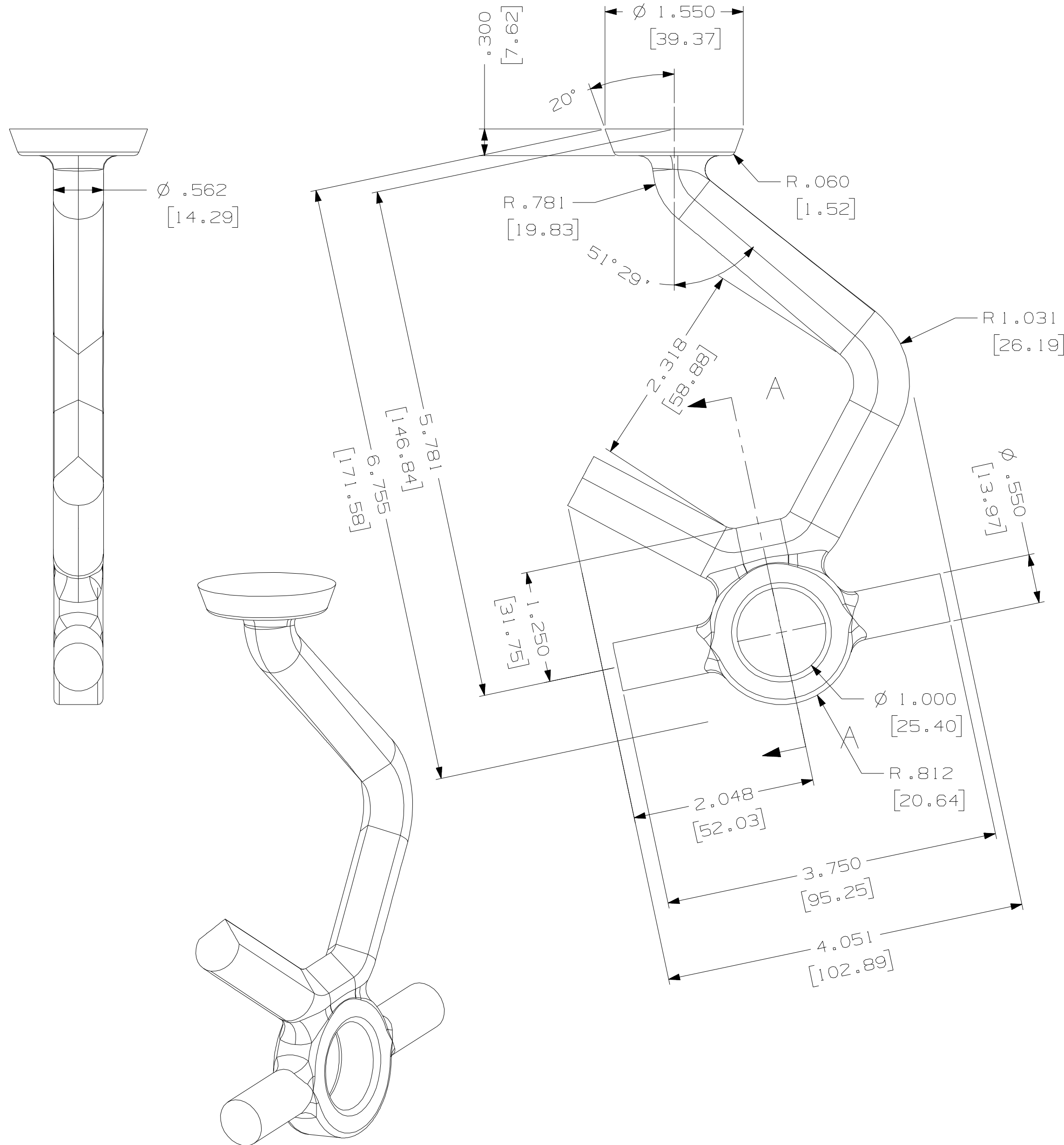
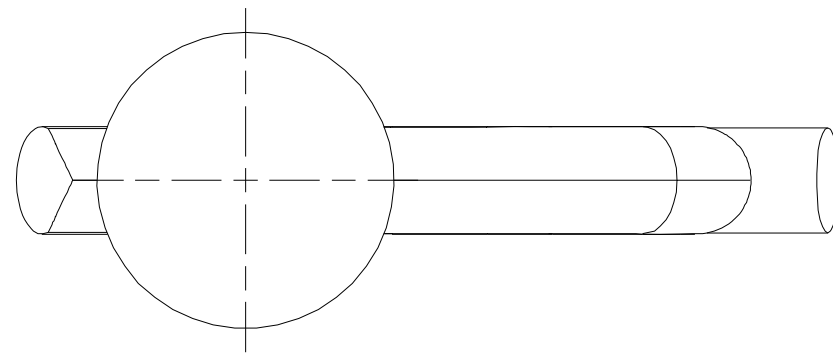
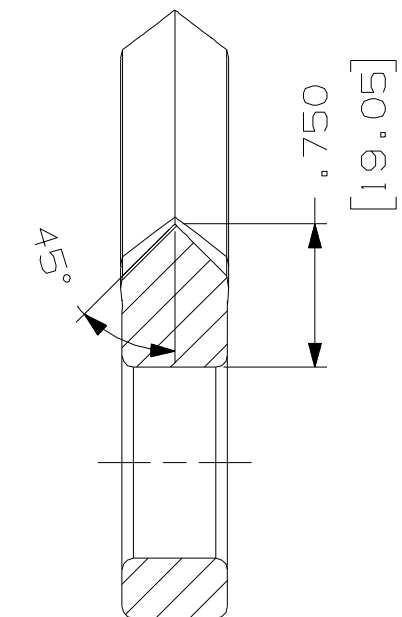
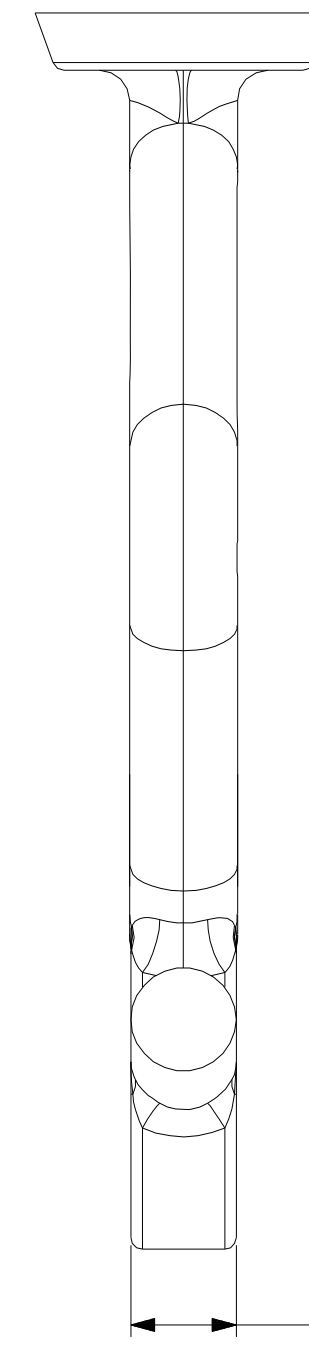


Max Buss Bar Size
 1.5" Square
 2.0" Dia. Round



ISO VIEW



SECTION A - A

POS	DESCRIPTION	QTY	MATERIAL	SIZE	HARDNESS
X	CHROME ANODE HOOK #2	XXX	Bronze	1.550" X 4.051" X 6.755"	

<p>CONFIDENTIAL This document contains confidential information which is property of ALCHEMY EXTRUSIONS Inc. This document may not be reproduced, transferred or used, or its content disclosed without the written permission of ALCHEMY EXTRUSIONS Inc.</p>		<p>ALCHEMY EXTRUSIONS INC.</p>		
DESIGNED	NAME RP	DATE 05-09	DESCRIPTION:	23 Chapple Street Hamilton, Ontario L8L 8K7
DRAWN	RP	05-09		Tool free: 866-979-7911 Tel: 905-279-7911 Fax: 905-385-2641
APPROV.				
<p>TOLERANCES UNLESS OTHERWISE SPECIFIED x/xx = ±.015 .x = ±.010 .xx = ±.005 .xxx = ±.001 ANGLES = ±1/2°</p>		<p>TITLE: CHROME ANODE HOOK SINGLE KNIFE EDGE</p>		
<p>SCALE: 1:1</p>		<p>JOB EP0708</p>		<p>DWG NO. EP0708-2</p>
				<p>REV. SHEET 1 OF 1</p>