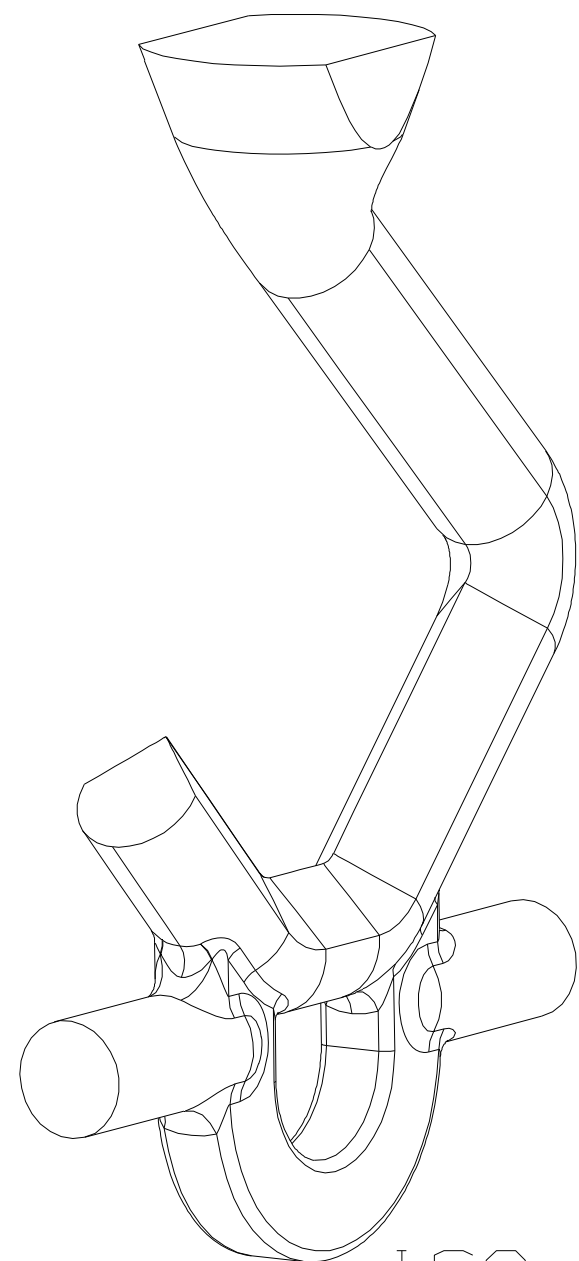
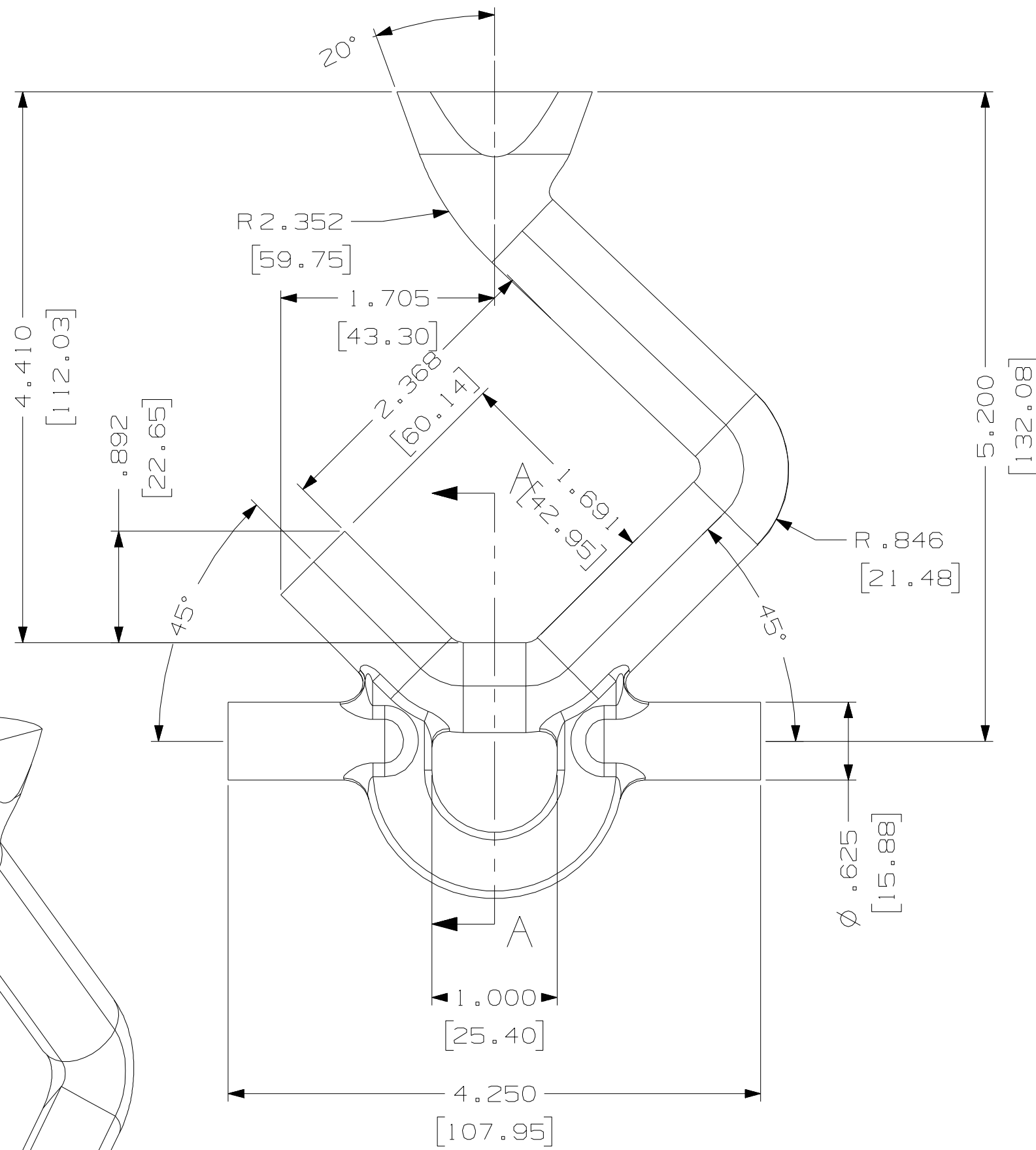
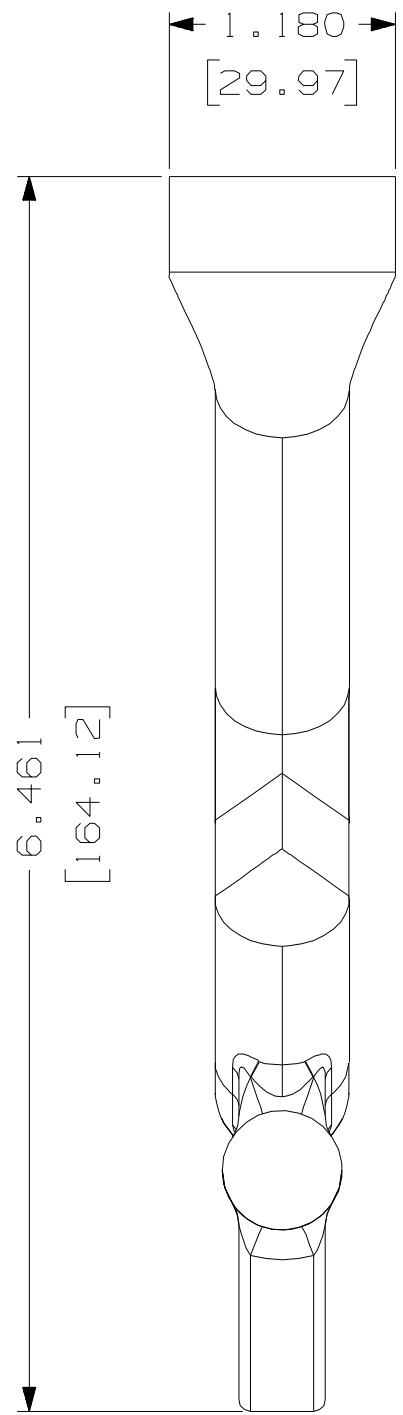
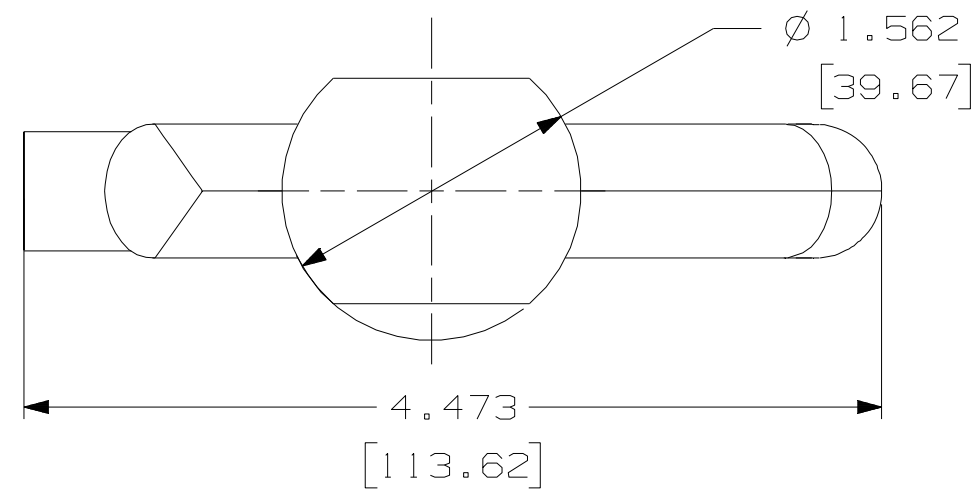
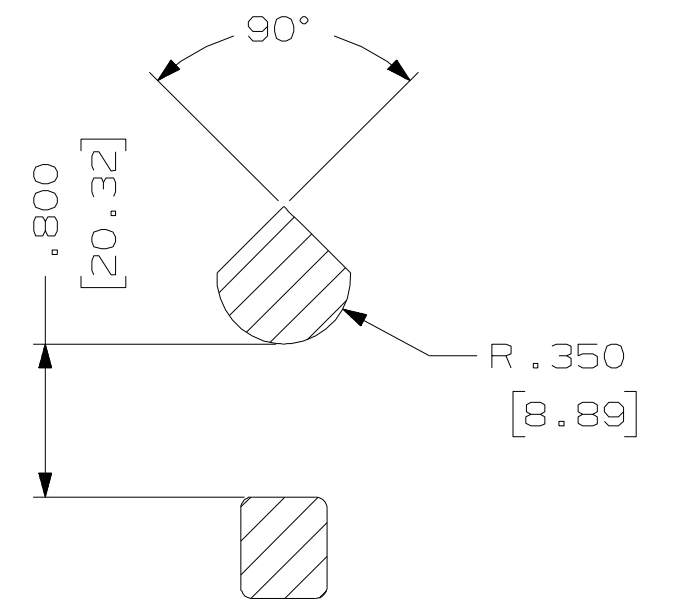
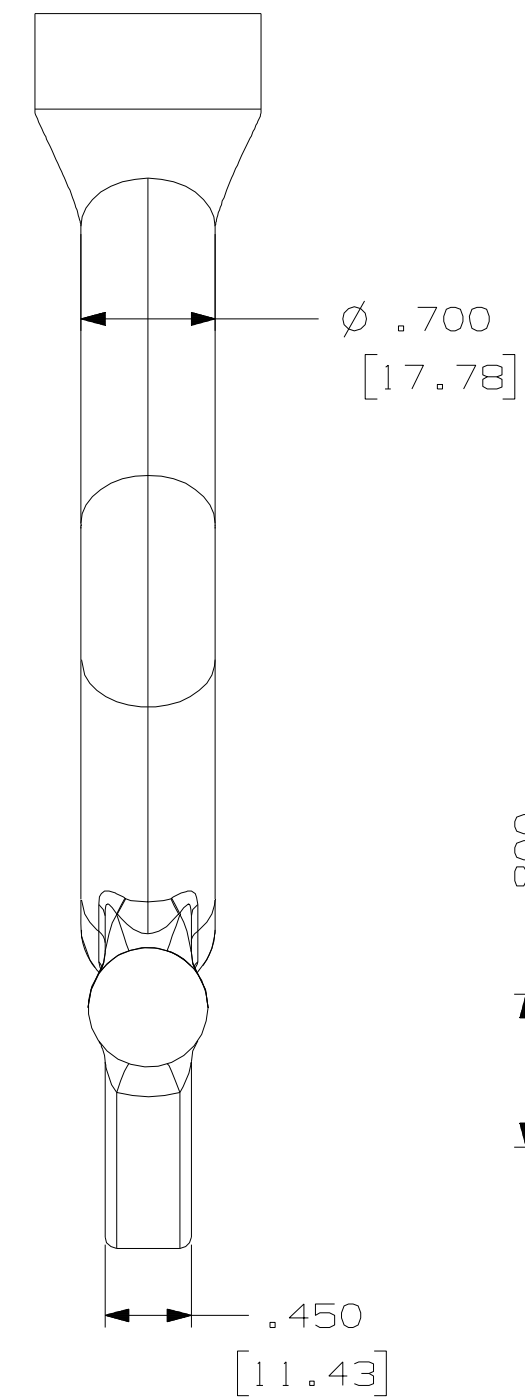


Max Buss Bar Size
1.5" Square
2.0" Dia. Round



ISO VIEW



SECTION A - A

X	CHROME ANODE HOOK #3	XXX	Bronze	1.180" X 4.473" X 6.461"	
POS	DESCRIPTION	QT'Y	MATERIAL	SIZE	HARDNESS
CONFIDENTIAL This document contains confidential information which is property of ALCHEMY EXTRUSIONS Inc. This document may not be reproduced, transferred or used, or its content disclosed without the written permission of ALCHEMY EXTRUSIONS Inc.			ALCHEMY EXTRUSIONS INC.		
DESIGNED	NAME	DATE	DESCRIPTION:	23 Chapple Street Hamilton, Ontario L8L 8K7 Tel: 905-279-7911 Fax: 905-385-2641	
DRAWN	RP	05-09			
APPROV.		05-09			
TOLERANCES UNLESS OTHERWISE SPECIFIED x/xx = ±.015 .x = ±.010 .xx = ±.005 .xxx = ±.001 ANGLES = ±1/2°			TITLE: CHROME ANODE HOOK SINGLE KNIFE EDGE		
SCALE: 1:1		JOB: EPO708	DWG NO. EPO708-3	REV.	
		SHEET 1 OF 1			