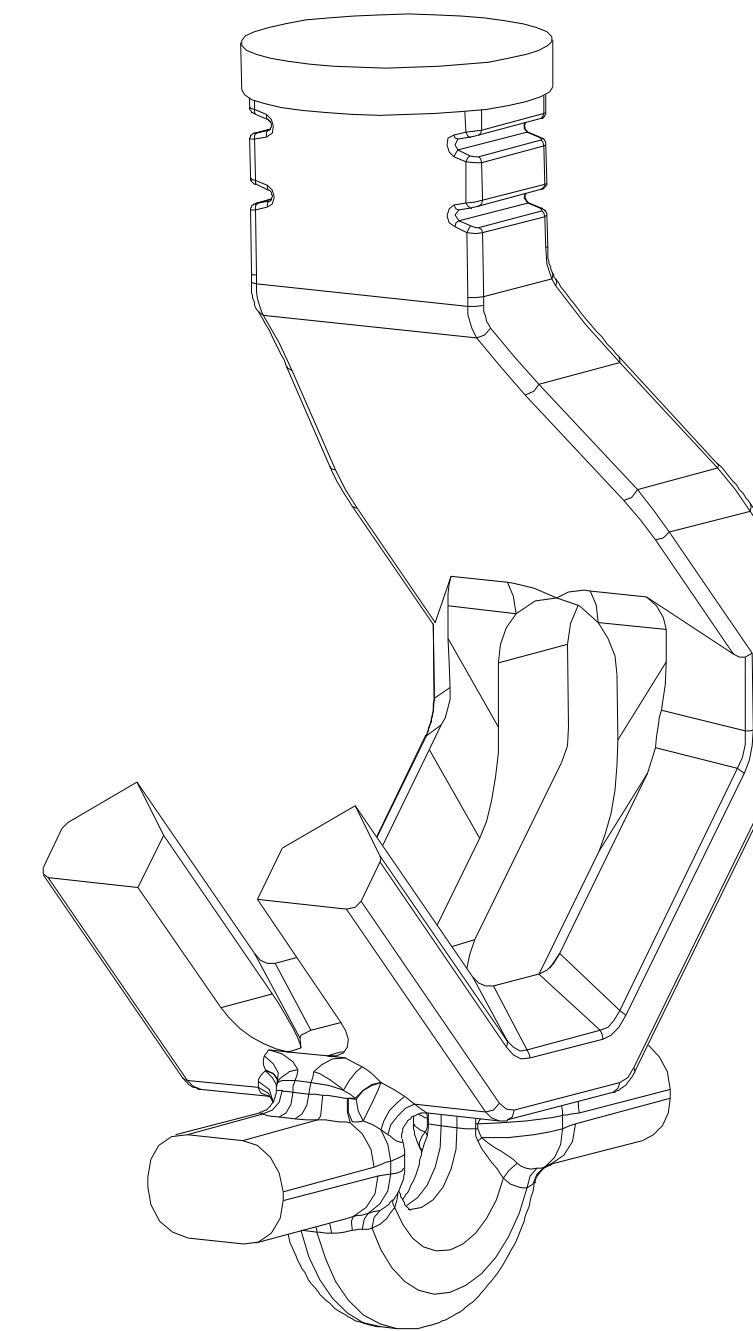
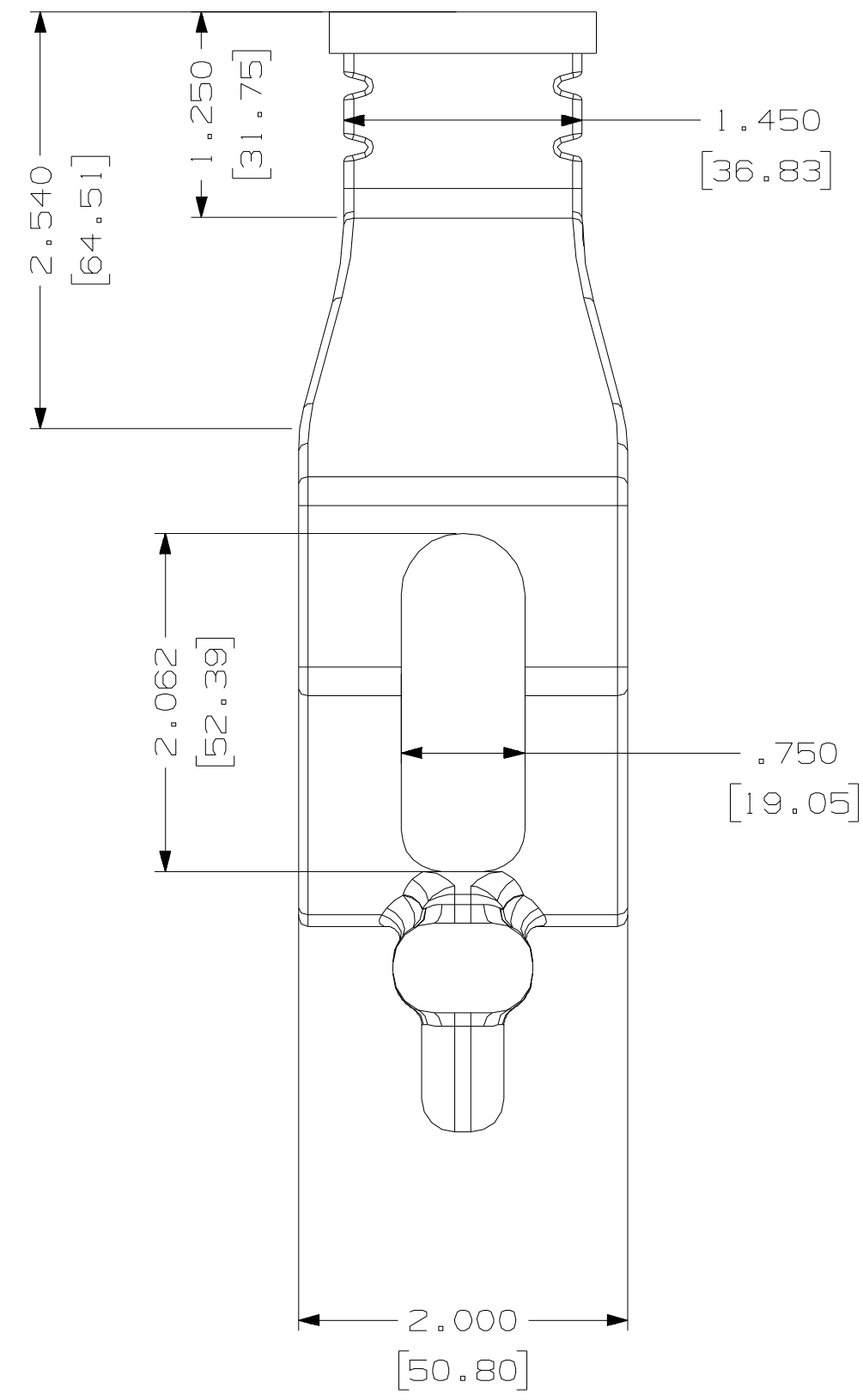
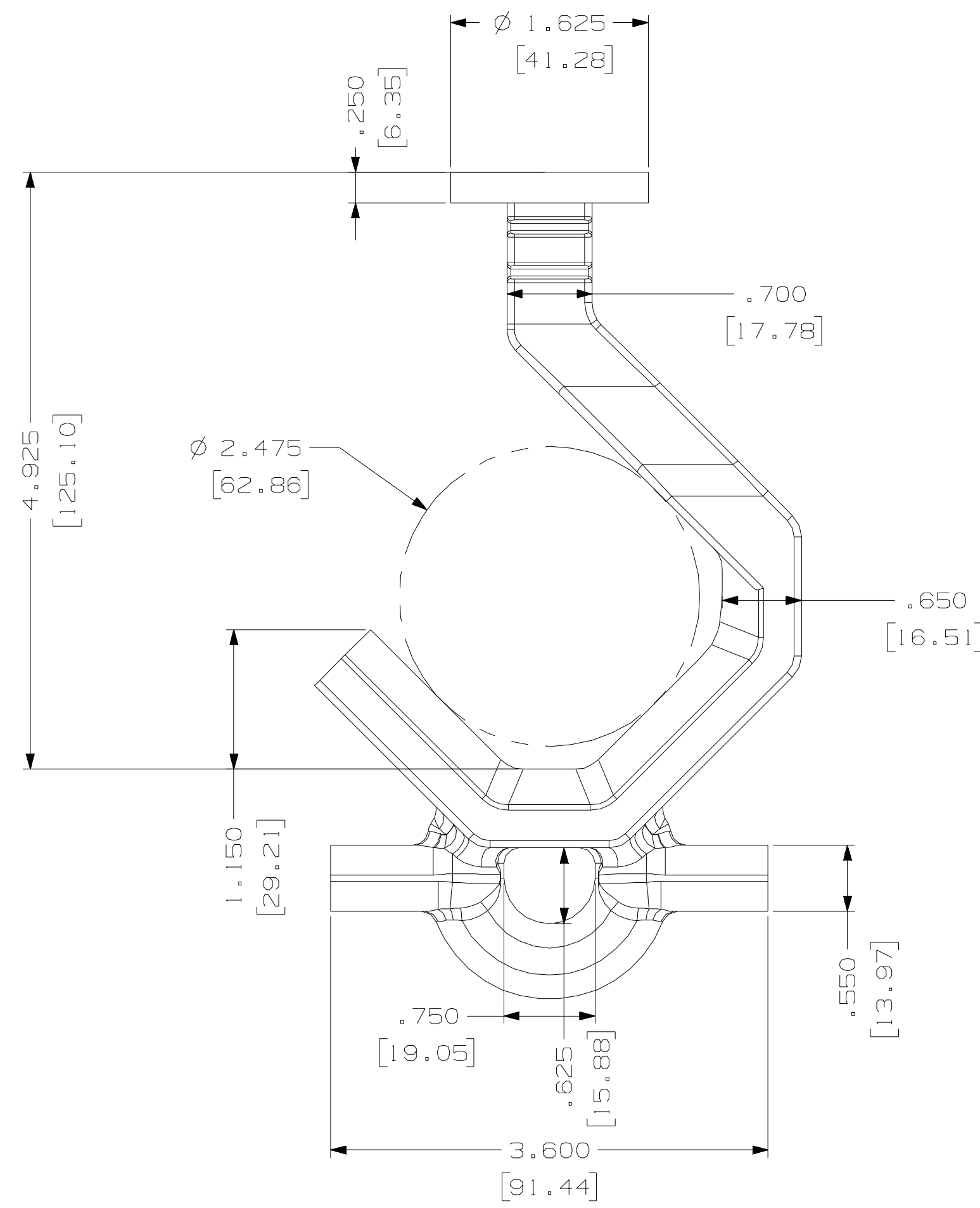
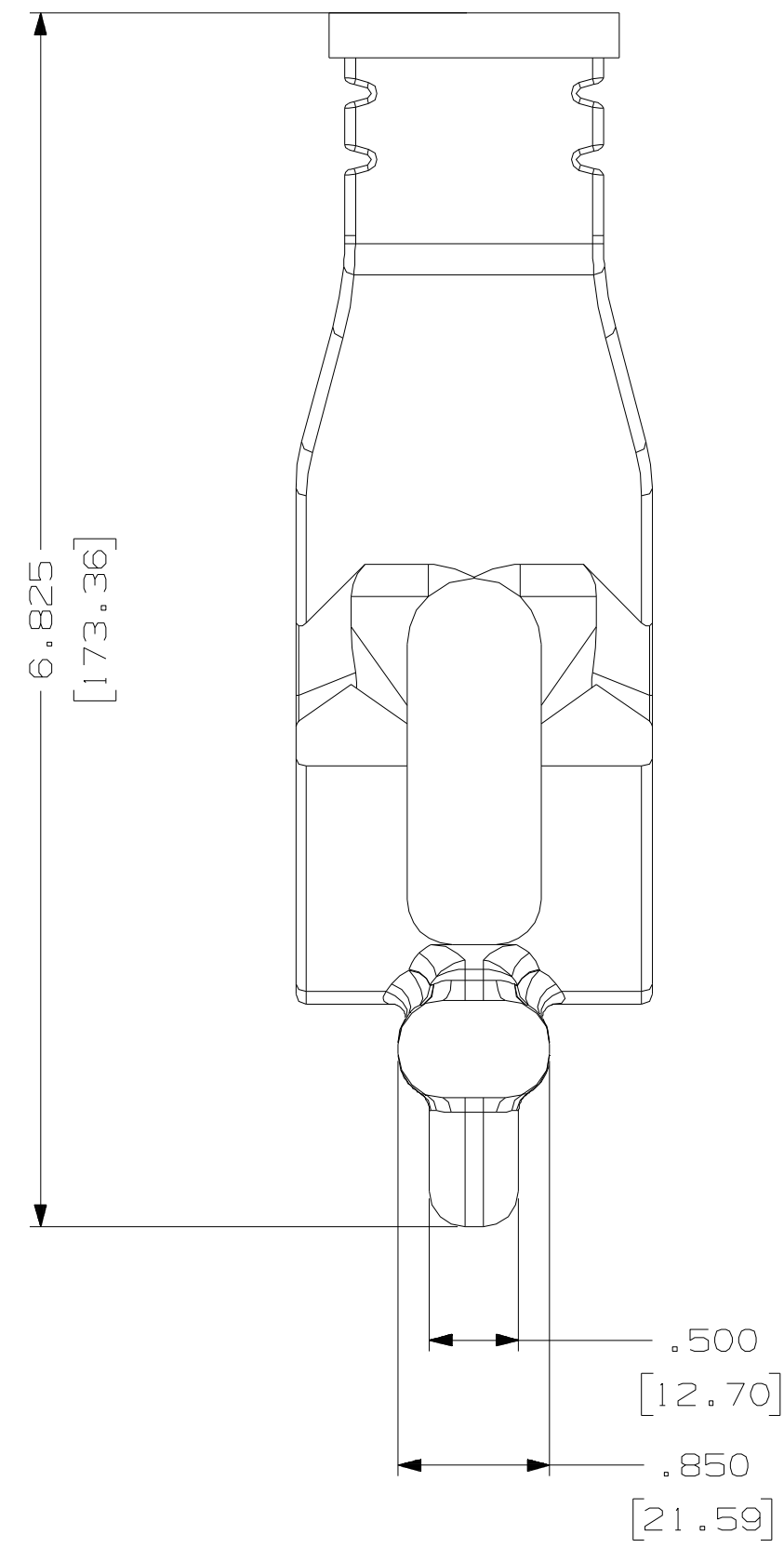
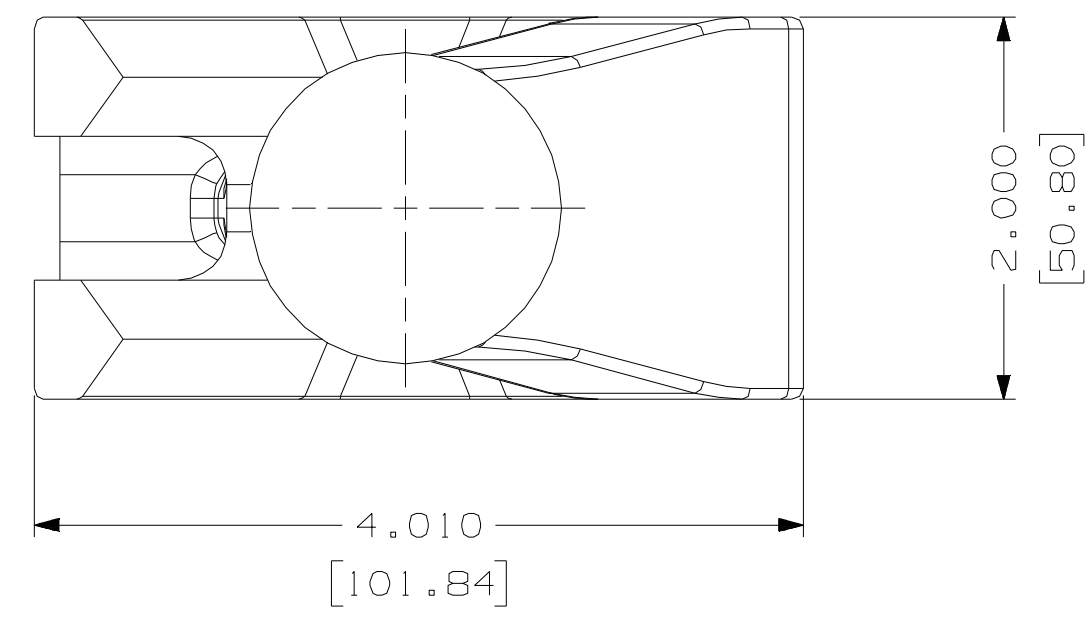
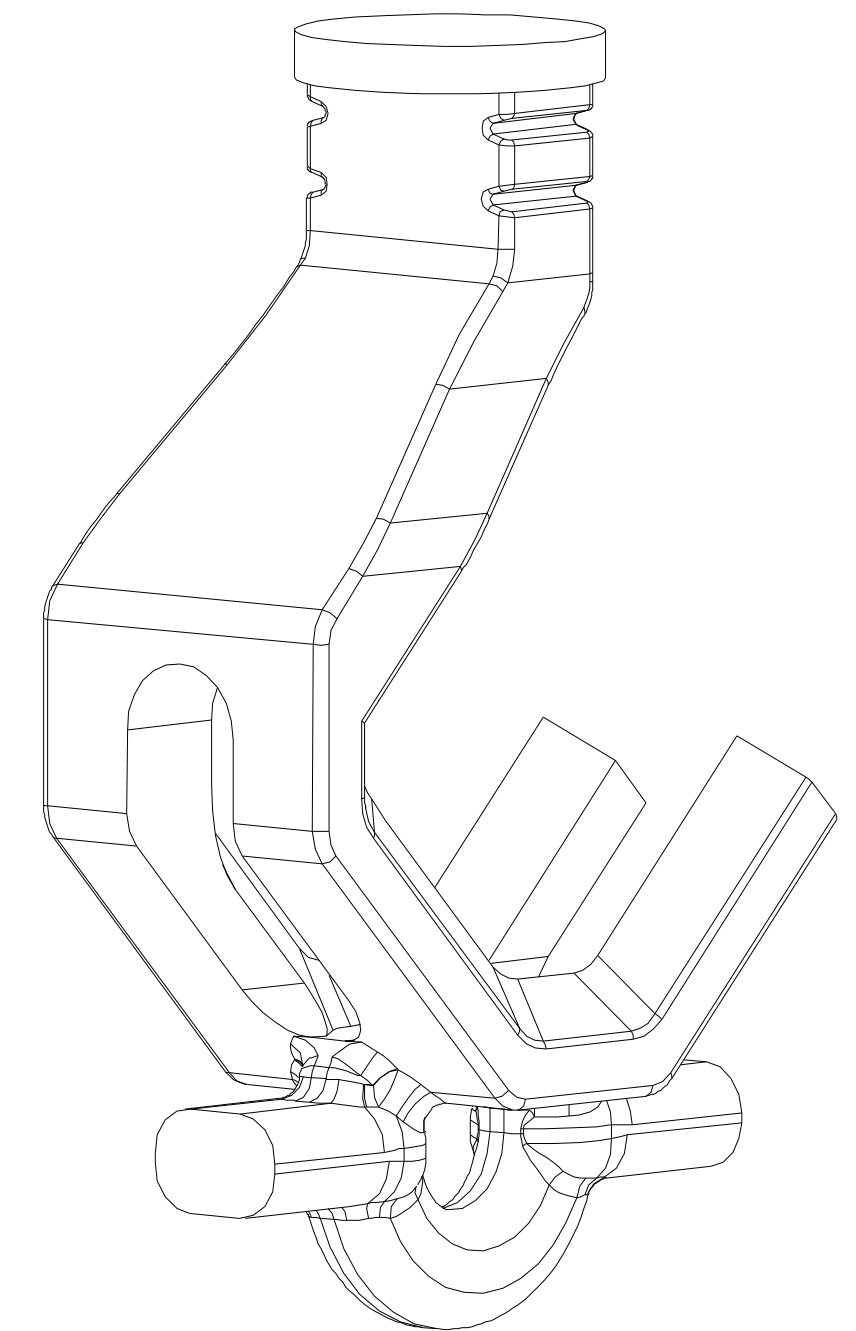


Max Buss Bar Size  
1.5" Square  
1.75" Dia. Round



ISO VIEW



ISO VIEW

X	CHROME ANODE HOOK #7	XXX		2.000" X 4.010" X 4.925"	
POS	DESCRIPTION	QTY	MATERIAL	SIZE	HARDNESS
<p>CONFIDENTIAL This document contains confidential information which is property of ALCHEMY EXTRUSIONS Inc. This document may not be reproduced, transferred or used, or its content disclosed without the written permission of ALCHEMY EXTRUSIONS Inc.</p>					
<p>TOLERANCES UNLESS OTHERWISE SPECIFIED          x/xx = ± .015          .x = ± .010          .xx = ± .005          .xxx = ± .001          ANGLES = ± 1/2°</p>			<p><b>ALCHEMY EXTRUSIONS INC.</b>          23 Chapple Street          Hamilton, Ontario          L8L 6K7          Tel: 905-278-7811          Fax: 905-385-2641</p>		
<p>DESIGNED RP 05-09          DRAWN RP 05-09          APPROV. [Signature]</p>					
<p>TITLE: CHROME ANODE HOOKS DOUBLE KNIFE EDGE</p>					
<p>SCALE: 1:1</p>		<p>JOB: EP0708</p>		<p>DWG NO. EP0708-4          SHEET 1 OF 1</p>	